

LIFTING CAPACITY

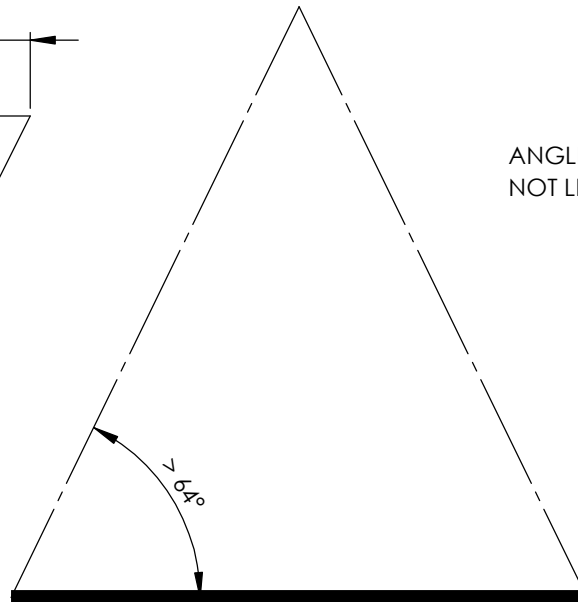
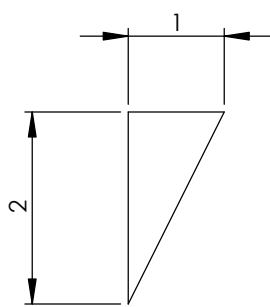
MAX. LIFTING CAPACITY FOR VERTICAL LIFT CRANE TRUCK

QUICK LINK FOR REUSABLE PVC BAG



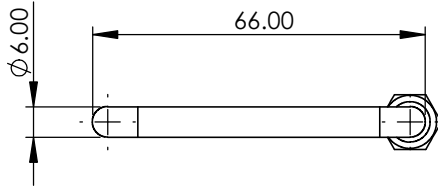
SAFE LIFTING CAPACITY = 990 lbs. (449 kg.) per link

MTE Consultants Inc. Project No. 51787-100
For the confirmation of the safe lifting capacity.
Factor of Safety = 5.0
Inclination of lifting slings/chains shall not be less than 64° from the horizontal (see below).

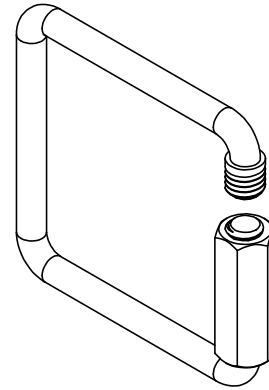


ANGLE OF LIFTING SLINGS
NOT LESS THAN 64 DEGREES.

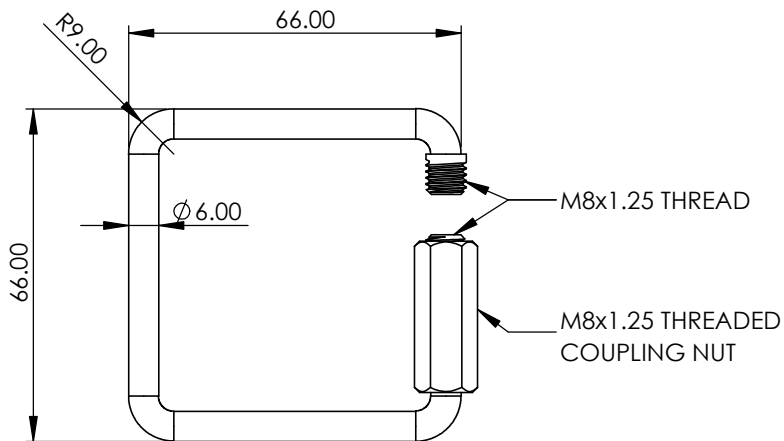
QUICK LINK FOR REUSABLE PVC BAG



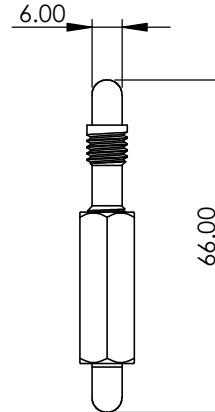
TOP VIEW
SCALE 1:1.5



ISOMETRIC VIEW
SCALE 1:1.5



FRONT VIEW
SCALE 1:1.5



SIDE VIEW
SCALE 1:1.5

NOTES:

1. DIMENSIONS ARE IN METRIC UNLESS NOTED OTHERWISE
2. MATERIAL: STAINLESS STEEL
3. 6mm WIRE DIA.
4. THREADS AS NOTED.