

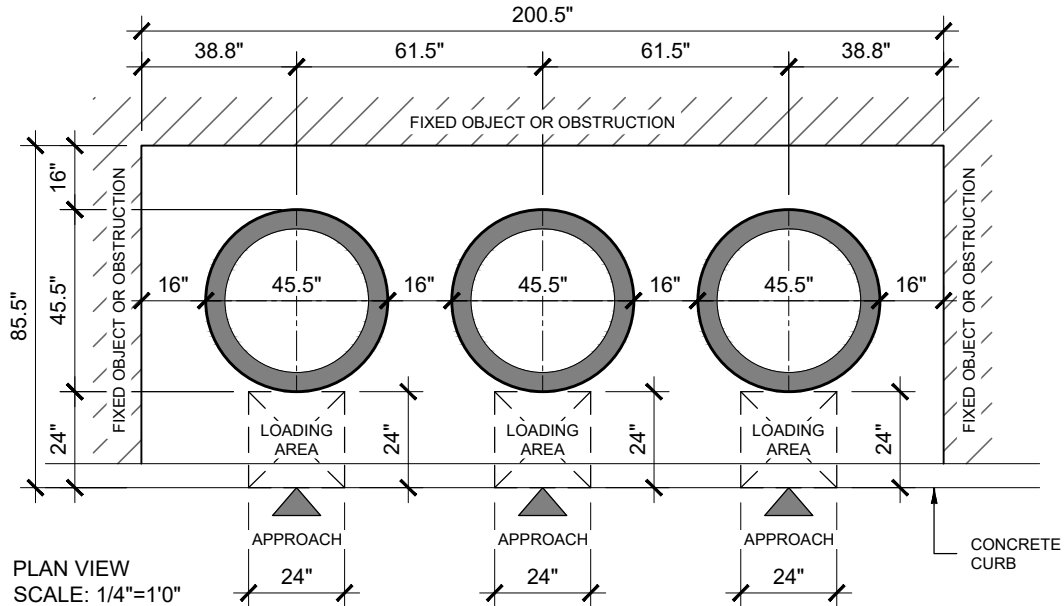
## Multiple Unit Installation Instructions



**FS-2**  
Fully In-Ground Steel Lid  
2 cu.yd. Capacity



**SS-2**  
Semi In-Ground Steel Lid  
2 cu.yd. Capacity



## SUTERA FS-2 / SS-2 MULTIPLE UNIT PLACEMENT

MINIMUM RECOMMENDED SPACING BETWEEN UNITS AND PROXIMITY TO FIXED OBJECT / OBSTRUCTION  
(UNDERGROUND SERVICES AND FOUNDATION WALL FOOTING PROJECTION TO BE TAKEN INTO CONSIDERATION)